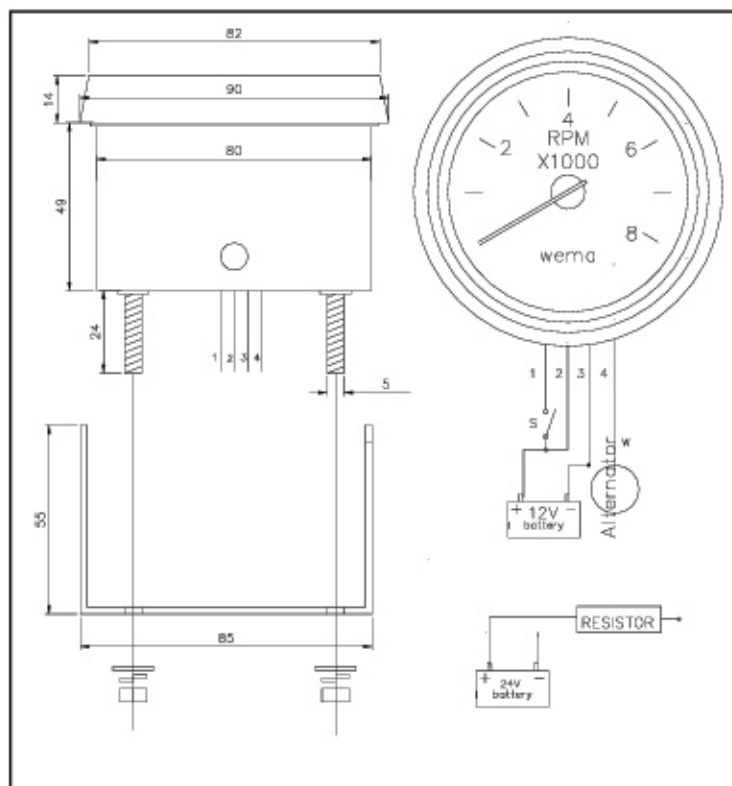


Tachometer Gauge	ISTAC-8	CE
	art.no: 110120	Revision: 1998-5-20

**Technical data:**

Supply:	12V or 24V DC
Consumption:	0-50 mA
Background light:	Yellow
Waterproof:	IP56
Range:	0-8000 rpm

Cable connections (see drawing):

1: red/white	instr. light
2: red	pos. power
3: blue	neg. power
4: black	alternator(W)

Installation:

Cut an 80 mm/ 3-1/8" diameter hole in the panel. Insert gauge and use added bracket for fastening (see bottom of drawing above). Tighten carefully using small tool.

Disconnect the battery during electrical installation.

As for all other electrical equipment a fuse must be used between the battery and the gauge, often this will be common for all instruments, and is not shown in diagram above.

Connect the wires according to the diagram. The instrument lighting can be connected to the common power or via a separate switch as indicated above.

If alternator wheel/water pump wheel is not 1:1, adjust on screw behind rubber seal on top.

Maintenance:

No periodical maintenance, adjustment or lubrication is needed.

The glass must not be cleaned with strong soap or chemicals as this might destroy the surface of the glass. Use light soap water!

