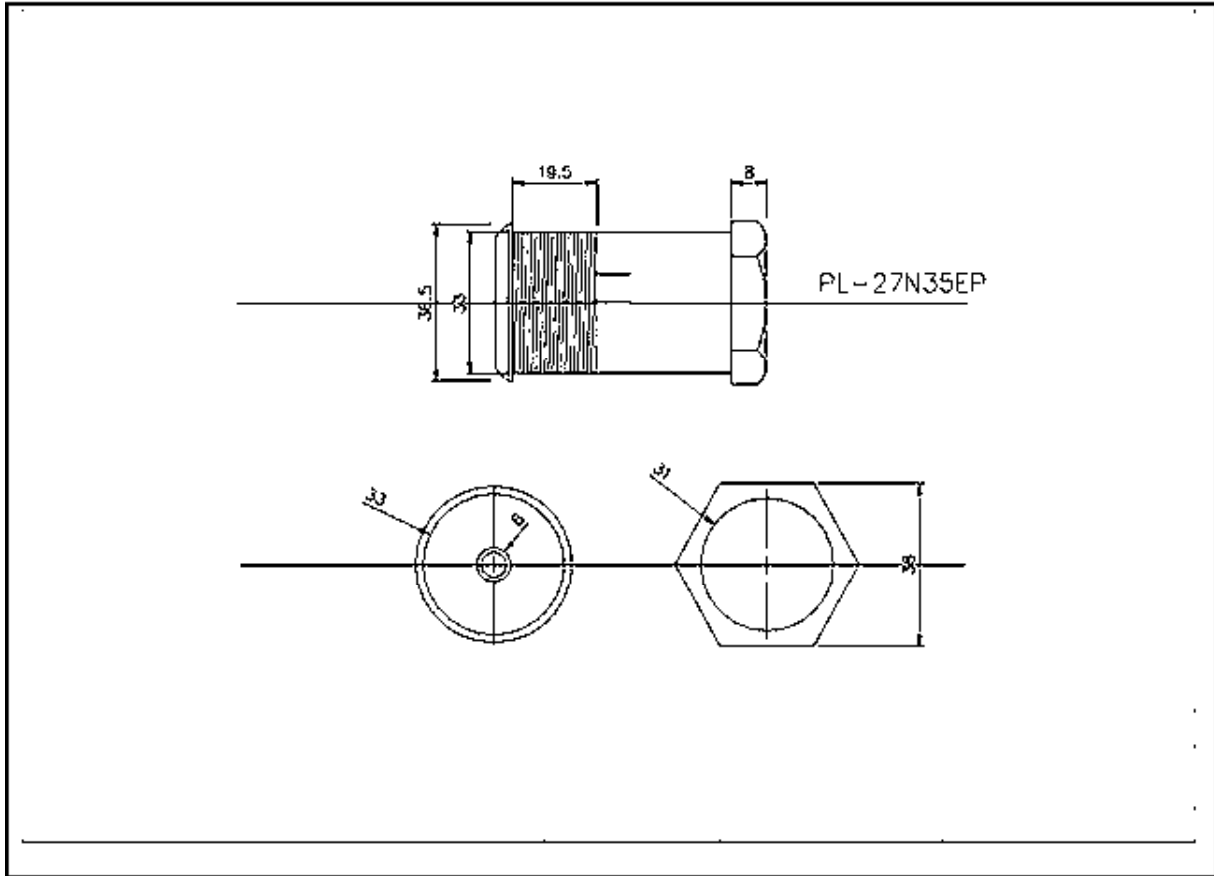


WEMA USA INC.™

Website: www.wemausa.com Email: info@wemausa.com Tel: (954)463-1075 - Fax: (954)463-1270

Buzzer	BZ-1	CE
	art no: 162010	Revision: 1998-5-20



WEMA BZ-1 Alarm buzzer can be used on any power source 6 - 32 V DC. Ideal use: Combination with multi tank panel UP7-B, bilge pump alarm PBK-S, leakage alarm sensor OVG-S, and high and low level warning for tank level SAB, temperature warning, pressure warning etc.